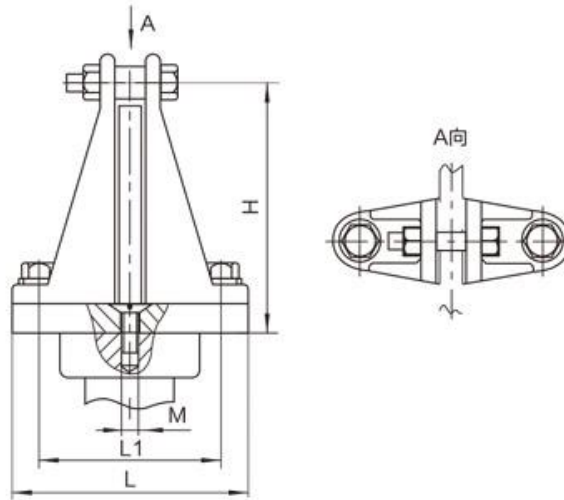


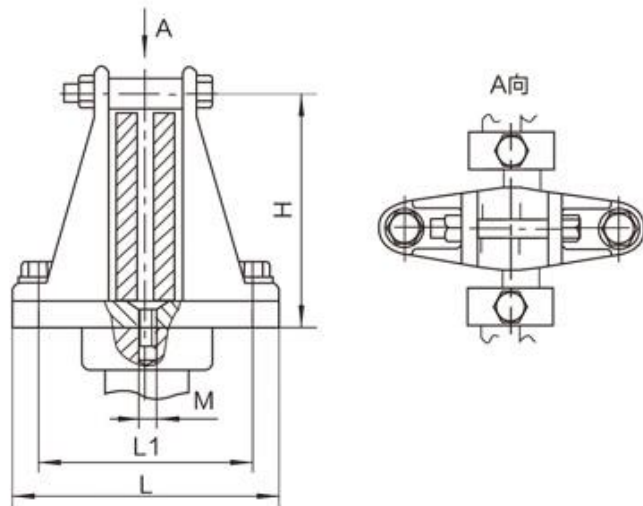
Overview

MNL inside rectangular bus bar fixed fittings



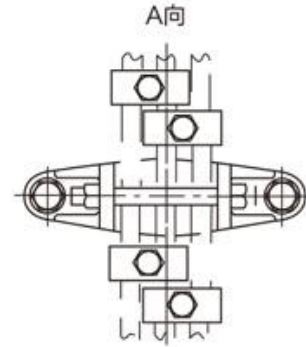
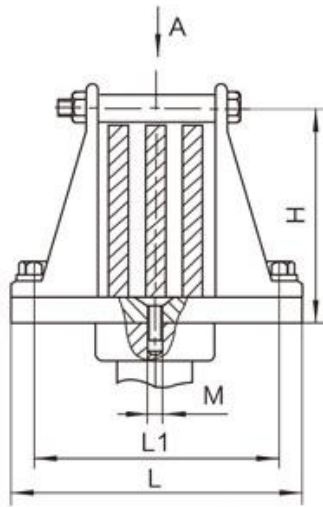
Catalog No.	Bus width(mm)	Main Dimensions(mm)				WeigHt(kg)
		H	L	L1	M	
MNL-101	63	82	90	60	10	0.9
MNL-102	80	100	90	60	10	1
MNL-103	100	120	90	60	10	1.1
MNL-104	125	145	90	60	10	1.2
MNL-105	63	82	90	60	16	0.9
MNL-106	80	100	90	60	16	1
MNL-107	100	120	90	60	16	1.1
MNL-108	125	145	90	60	16	1.2

MWL outdoor rectangular bus fixed fittings



Catalog No.	Bus width(mm)	Main Dimensions(mm)				WeigHt(kg)
		H	L	L1	M	
MNL-201	63	82	113	83	10	0.9
MNL-202	80	100	113	83	10	1
MNL-203	100	120	113	83	10	1.1
MNL-204	125	145	113	83	10	1.2
MNL-205	63	82	113	83	16	0.9

MNL-206	80	100	113	83	16	1
MNL-207	100	120	113	83	16	1.1
MNL-208	125	145	113	83	16	1.2



Catalog No.	Bus width (mm)	Main Dimensions(mm)				Weight (kg)
		H	L	L1	M	
MNL-301	63	82	130	100	10	0.9
MNL-302	80	100	130	100	10	1
MNL-303	100	120	130	100	10	1.1
MNL-304	125	145	130	100	10	1.2
MNL-305	63	82	130	100	16	0.9
MNL-306	80	100	130	100	16	1
MNL-307	100	120	130	100	16	1.1
MNL-308	125	145	130	100	16	1.2